

EDS-608/611/616/619 Series

8, 8+3G, 16, 16+3G-port compact modular managed Ethernet switches



- > Up to 19 optical fiber connections in a compact switch (EDS-619)
- > Modular design with 4-port copper/fiber combinations
- > Hot swap media modules for continuous operation
- > Turbo Ring and Turbo Chain (recovery time < 20 ms @ 250 switches), RSTP/STP, and MSTP for network redundancy
- > TACACS+, SNMPv3, IEEE 802.1X, HTTPS, and SSH to enhance network security
- > Easy network management by web browser, CLI, Telnet/serial console, Windows utility, and ABC-01
- > Supports MXstudio for easy, visualized industrial network management



Introduction

The versatile modular design of the compact EDS-600 series Ethernet switch allows users to combine fiber and copper modules to create switch solutions suitable for any automation network. The EDS-600's modular design lets you install up to 3 Gigabit Ethernet ports and 16 Fast Ethernet ports, and the advanced Turbo Ring and Turbo Chain (recovery time < 20 ms) technology, RSTP/STP, and MSTP helps increase the reliability and availability of your industrial Ethernet

network. Models with an extended operating temperature range of -40 to 75°C are also available. The EDS-600 series supports several reliable and intelligent functions, including IEEE 1588 PTPv2, EtherNet/IP, Modbus/TCP, LLDP, DHCP Option 82, SNMP Inform, QoS, IGMP snooping, VLAN, TACACS+, IEEE 802.1X, HTTPS, SSH, SNMPv3, and more, making the Ethernet switches suitable for any harsh industrial environment.

Features and Benefits

- Command Line Interface (CLI) for quickly configuring major managed functions
- Hot swap media modules for continuous operation
- Turbo Ring and Turbo Chain (recovery time < 20 ms @ 250 switches), RSTP/STP, and MSTP for network redundancy
- IPv6 Ready logo awarded (IPv6 Logo Committee certified)
- SNMP Inform for ensuring reliable event management
- LLDP for automated topology discovery
- DHCP Option 82 for IP address assignment with different policies
- Software-based IEEE 1588 PTPv2 (Precision Time Protocol) for time synchronization of networks
- Support EtherNet/IP and Modbus/TCP protocols for device management and monitoring
- Compatible with PROFINET protocol for transparent data transmission
- IGMP snooping and GMRP for filtering multicast traffic
- Port-based VLAN, IEEE 802.1Q VLAN, and GVRP to ease network planning
- QoS (IEEE 802.1p/1Q) and TOS/DiffServ to increase determinism
- Port Trunking for optimum bandwidth utilization
- TACACS+, SNMPv3, IEEE 802.1X, HTTPS, and SSH to enhance network security
- SNMPv1/v2c/v3 for different levels of network management
- RMON for efficient network monitoring and proactive capability
- Bandwidth management prevents unpredictable network status
- Lock port function for blocking unauthorized access based on MAC address
- Port mirroring for online debugging
- Automatic warning by exception through e-mail, relay output

Specifications

Technology

Standards:

- IEEE 802.3 for 10BaseT
- IEEE 802.3u for 100BaseT(X) and 100BaseFX
- IEEE 802.3ab for 1000BaseT(X)
- IEEE 802.3z for 1000BaseX
- IEEE 802.3x for Flow Control
- IEEE 802.1D-2004 for Spanning Tree Protocol
- IEEE 802.1w for Rapid STP
- IEEE 802.1s for Multiple Spanning Tree Protocol
- IEEE 802.1Q for VLAN Tagging
- IEEE 802.1p for Class of Service
- IEEE 802.1X for Authentication
- IEEE 802.3ad for Port Trunk with LACP

Software Features

- Management:** IPv4/IPv6, SNMP v1/v2c/v3, LLDP, Port Mirror, DDM, RMON, DHCP Server/Client, DHCP Option 66/67/82, BootP, TFTP, SMTp, RARP, Telnet, Syslog, SNMP Inform, Flow Control, Back Pressure Flow Control
- Filter:** 802.1Q VLAN, Port-Based VLAN, GVRP, IGMP v1/v2, GMRP
- Redundancy Protocols:** STP, RSTP, MSTP, Turbo Ring v1/v2, Turbo Chain, Link Aggregation
- Security:** RADIUS, TACACS+, SSL, SSH, Broadcast Storm Protection, Port Lock
- Time Management:** SNTP, NTP Server/Client, IEEE 1588v2 PTP (software-based)
- Industrial Protocols:** EtherNet/IP, Modbus/TCP
- MIB:** MIB-II, Ethernet-Like MIB, P-BRIDGE MIB, Q-BRIDGE MIB, Bridge MIB, RSTP MIB, RMON MIB Group 1, 2, 3, 9

Switch Properties

Priority Queues: 4
Max. Number of VLANs: 64
VLAN ID Range: VID 1 to 4094
IGMP Groups: 256
MAC Table Size: 8 K
Packet Buffer Size: 1 Mbit

Interface

Fast Ethernet: 2 or 4 slots for any combination of 4-port interface modules, 10/100BaseT(X) or 100BaseFX
Gigabit Ethernet: 3 10/100/1000BaseT(X) with 100/1000BaseSFP combo slots (EDS-611 and EDS-619 only)
Console Port: RS-232 (RJ45 connector)
DIP Switches: Turbo Ring, Master, Coupler, Reserve
System LED Indicators: PWR1, PWR2, FAULT, MSTR/HEAD, CPLR/ TAIL, G1/G2/G3 (EDS-611 and EDS-619 only)
Alarm Contact: 1 relay output with current carrying capacity of 1 A @ 24 VDC

Digital Inputs: 1 input with the same ground, but electrically isolated from the electronics.

- +13 to +30 V for state "1"
- -30 to +3 V for state "0"
- Max. input current: 8 mA

Power Requirements

Input Voltage: 12/24/48 VDC, redundant dual inputs
Input Current: (without CM-600 modules installed)
 EDS-608: 0.16 A @ 24 V
 EDS-611: 0.31 A @ 24 V
 EDS-616: 0.25 A @ 24 V
 EDS-619: 0.31 A @ 24 V

Overload Current Protection: Present

Connection: 1 removable 5-contact and 1 removable 6-contact terminal block

Reverse Polarity Protection: Present

Physical Characteristics

IP Rating: IP30 protection

Dimensions:

EDS-608/611 Series: 124.9 x 151 x 157.2 mm (4.92 x 5.95 x 6.19 in)
 EDS-616/619 Series: 185 x 151 x 157.2 mm (7.28 x 5.95 x 6.19 in)

Weight:

EDS-608: 2080 g (4.59 lb)
 EDS-611: 2260 g (4.99 lb)
 EDS-616: 2780 g (6.13 lb)
 EDS-619: 2950 g (6.51 lb)

Installation: DIN-rail mounting, wall mounting (with optional kit)

Environmental Limits

Operating Temperature:

Standard Models: 0 to 60°C (32 to 140°F)
 Wide Temp. Models: -40 to 75°C (-40 to 167°F)

Storage Temperature: -40 to 85°C (-40 to 185°F)

Ambient Relative Humidity: 5 to 95% (non-condensing)

Standards and Certifications

Safety: UL 508, UL 60950-1, EN 60950-1

Hazardous Location: UL/cUL Class 1 Division 2 Groups A/B/C/D, ATEX Zone 2 Ex nA nC IIC T4 Gc

EMC: EN 55022/24, EN 61000-6-2/6-4

EMI: CISPR 22, FCC Part 15B Class A

EMS:

IEC 61000-4-2 ESD: Contact: 6 kV; Air: 8 kV
 IEC 61000-4-3 RS: 80 MHz to 1 GHz: 10 V/m
 IEC 61000-4-4 EFT: Power: 2 kV; Signal: 1 kV
 IEC 61000-4-5 Surge: Power: 2 kV; Signal: 2 kV
 IEC 61000-4-6 CS: Signal: 10 V
 IEC 61000-4-8

Traffic Control: NEMA TS2

Rail Traffic: EN 50121-4

Marine: DNV, GL, LR, ABS, NK

Shock: IEC 60068-2-27

Freefall: IEC 60068-2-32

Vibration: IEC 60068-2-6

Note: Please check Moxa's website for the most up-to-date certification status.

MTBF (mean time between failures)

Time:

EDS-608: 596,219 hrs
 EDS-611: 483,344 hrs
 EDS-616: 546,937 hrs
 EDS-619: 475,816 hrs

Standard: Telcordia (Bellcore), GB

Warranty

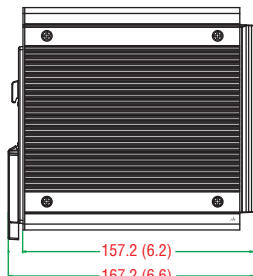
Warranty Period: 5 years

Details: See www.moxa.com/warranty

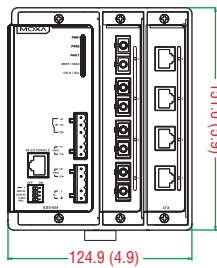
Dimensions

EDS-608/611 Series

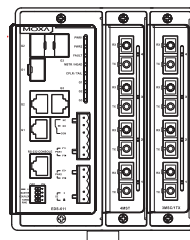
Unit: mm (inch)



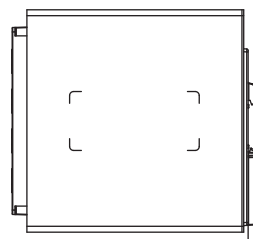
Side View



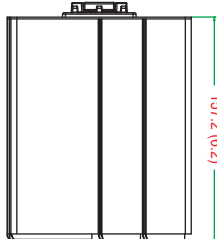
Front View



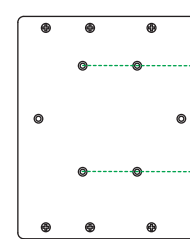
Rear View



Side View



Top View

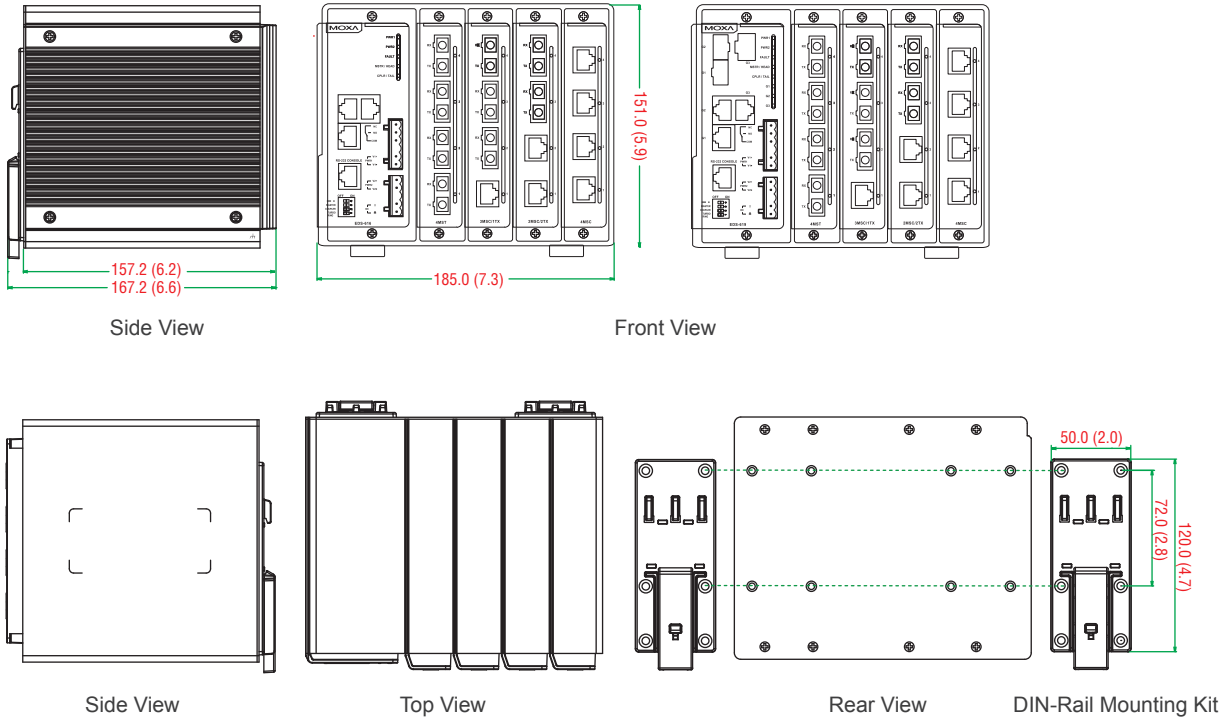


DIN-Rail Mounting Kit

Dimensions

Unit: mm (inch)

EDS-616/619 Series



Ordering Information

Step 1: Select Ethernet switch system

Step 2: Select interface modules

EDS-608/611/616/619



CM-600 Series
(Fast Ethernet)

Note: The EDS-600 switch system is delivered without interface modules. See the CM-600 datasheet for Fast Ethernet interface module product information.

Available Models		Total No. of Ports	Port Interface		
Standard Temperature (0 to 60°C)	Wide Temperature (-40 to 75°C)		Gigabit Ethernet 10/100/1000BaseT(X) or 100/1000BaseSFP*	Slots	Fast Ethernet 10/100BaseT(X) and/or 100BaseFX
EDS-608	EDS-608-T	8	–	2	up to 8
EDS-611	EDS-611-T	11	3	2	up to 8
EDS-616	EDS-616-T	16	–	4	up to 16
EDS-619	EDS-619-T	19	3	4	up to 16

*The EDS-611/619 series supports 3 100/1000BaseSFP slots. See the SFP-1G and SFP-1Fe datasheets for Gigabit/Fast Ethernet SFP module product information.

Optional Accessories (can be purchased separately)

- MXview:** Moxa industrial network management software with 50, 100, 250, 500, 1000, or 2000 nodes
- EDS-SNMP OPC Server Pro:** OPC server software that works with all SNMP devices
- ABC-01:** Configuration backup and restoration tool for managed Ethernet switches, 0 to 60°C operating temperature
- DR-4524/75-24/120-24:** 45/75/120 W DIN-rail 24 VDC power supplies
- MDR-40-24/60-24:** 40/60 W DIN-rail 24 VDC power supplies, -20 to 70°C operating temperature
- WK-75:** Wall-mounting kit, 2 plates with 8 screws
- AVK-17:** Anti-vibration wiring Kit

Package Checklist

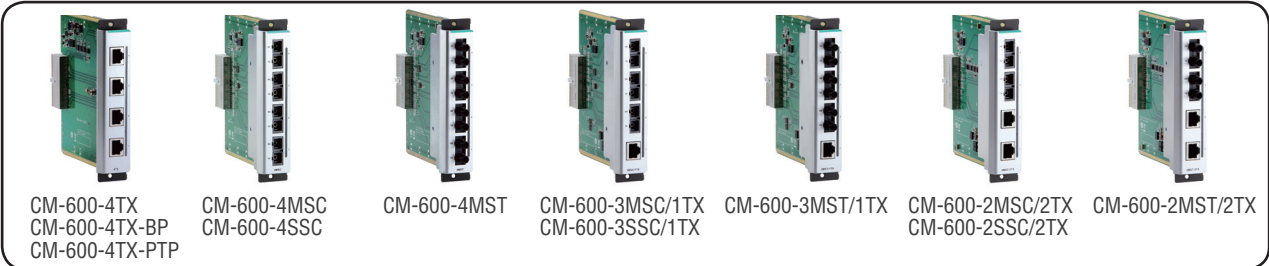
- EDS-608 or EDS-611 or EDS-616 or EDS-619 switch
- Serial Cable: CN20070
- Documentation and software CD
- Hardware installation guide (printed)
- Warranty card

CM-600 Series

4-port Fast Ethernet interface modules for EDS-600 series Ethernet switches

Specifications

Fast Ethernet Interface Modules, CM-600 Series



Interface

RJ45 Ports: 10/100BaseT(X) auto negotiation speed, Full/Half duplex mode, and auto MDI/MDI-X connection

Fiber Ports: 100BaseFX ports (SC/ST connector)

Optical Fiber

Fiber Cable Type	100BaseFX		
	OM1	Multi-Mode	Single-Mode
		50/125 μ m 800 MHz*km	G.652
Typical Distance	4 km	5 km	40 km
Wave-length	Typical (nm)	1300	1310
	TX Range (nm)	1260 to 1360	1280 to 1340
	RX Range (nm)	1100 to 1600	1100 to 1600
Optical Power	TX Range (dBm)	-10 to -20	0 to -5
	RX Range (dBm)	-3 to -32	-3 to -34
	Link Budget (dB)	12	29
	Dispersion Penalty (dB)	3	1

Note: When connecting a single-mode fiber transceiver, we recommend using an attenuator to prevent damage caused by excessive optical power.
Note: Compute the "typical distance" of a specific fiber transceiver as follows: Link budget (dB) > dispersion penalty (dB) + total link loss (dB).

Power Requirements

Power Consumption:

CM-600-4TX: 0.61 W
 CM-600-4TX-BP: 2.38 W
 CM-600-4TX-PTP: 3.46 W
 CM-600-4MSC/4MST/4SSC: 2.44 W
 CM-600-3MSC/1TX, -3MST/1TX, -3SSC/1TX: 2 W
 CM-600-2MSC/2TX, -2MST/2TX, -2SSC/2TX: 1.56 W

Physical Characteristics

IP Rating: IP30 protection

Dimensions: 29.7 x 144.4 x 144.8 mm (1.17 x 5.69 x 5.7 in)

Weight:

CM-600-4TX: 190 g (0.42 lb)
 CM-600-4TX-BP: 240 g (0.53 lb)
 CM-600-4TX-PTP: 185 g (0.41 lb)
 CM-600-4MSC, -4MST, -4SSC: 240 g (0.53 lb)
 CM-600-3MSC/1TX, -3MST/1TX, -3SSC/1TX: 230 g (0.51 lb)
 CM-600-2MSC/2TX, -2MST/2TX, -2SSC/2TX: 230 g (0.51 lb)

MTBF (mean time between failures)

Time: 740,661 hrs

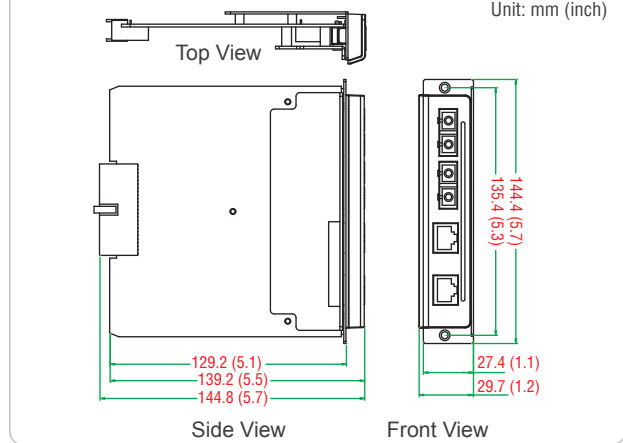
Standard: Telcordia (Bellcore), GB

Warranty

Warranty Period: 5 years

Details: See www.moxa.com/warranty

Dimensions



Ordering Information

Available Models (-40 to 75°C)	Port Interface			
	10/100BaseT(X)	100BaseFX		
		Multi-Mode, SC Connector	Multi-Mode, ST Connector	Single-Mode, SC Connector
CM-600-4TX	4	-	-	-
CM-600-4TX-BP*	4	-	-	-
CM-600-4TX-PTP*	4	-	-	-
CM-600-4MSC	-	4	-	-
CM-600-4MST	-	-	4	-
CM-600-4SSC	-	-	-	4
CM-600-3MSC/1TX	1	3	-	-
CM-600-3MST/1TX	1	-	3	-
CM-600-3SSC/1TX	1	-	-	3
CM-600-2MSC/2TX	2	2	-	-
CM-600-2MST/2TX	2	-	2	-
CM-600-2SSC/2TX	2	-	-	2

Package Checklist

- CM-600 interface module
- Warranty card

*The CM-600-4TX-BP supports the bypass relay function on each port; the CM-600-4TX-PTP supports the IEEE 1588 PTPv2 protocol on each port.

SFP-1G Series

1-port Gigabit Ethernet SFP modules



- > Digital Diagnostic Monitor Function
- > -40 to 85°C operating temperature range (T models)
- > IEEE 802.3z compliant
- > Differential LVPECL inputs and outputs
- > TTL signal detect indicator
- > Hot pluggable LC duplex connector
- > Class 1 laser product, complies with EN 60825-1



Specifications

Interface

Ethernet Ports: 1

Connectors: Duplex LC Connector or Simplex LC Connector (WDM-type only)

Optical Fiber

		Gigabit Ethernet SFP									
		SFP-SX		SFP-LSX		SFP-LX	SFP-LH	SFP-LHX	SFP-ZX	SFP-EZX	SFP-EZX-120
Transceiver Type		Multi-Mode		Multi-Mode		Single-Mode	Single-Mode	Single-Mode	Single-Mode	Single-Mode	Single-Mode
Fiber Cable Type		OM1	OM2	OM2	OM1	G.652	G.652	G.652	G.652	G.652	G.652
Typical Distance		300 m	550 m	1 km	2 km	10 km	30 km	40 km	80 km	110 km	120 km
Wave-length	Typical (nm)	850		1310		1310	1310	1310	1550	1550	1550
	TX Range (nm)	830 to 860		1270 to 1355		1280 to 1355	1280 to 1355	1280 to 1340	1530 to 1570	1530 to 1570	1530 to 1570
	RX Range (nm)	770 to 860		1260 to 1610		1260 to 1610	1260 to 1610	1260 to 1610	1260 to 1610	1260 to 1610	1100 to 1600
Optical Power	TX Range (dBm)	-4 to -9.5		-1 to -9		-3 to -9	-3 to -8	+3 to -4	+5 to 0	+5 to 0	+3 to -2
	RX Range (dBm)	0 to -18		-1 to -19		-3 to -21	-3 to -23	-1 to -24	-1 to -24	-9 to -30	-8 to -33
	Link Budget (dB)	8.5		10		12	15	20	24	30	31
	Dispersion Penalty (dB)	4.3	3.6	5	5	1	1	1	1	1	2

Note: When connecting the SFP-LHX, ZX, EZX, or EZX-120, we recommended using an attenuator to prevent the transceiver from being damaged by excessive optical power.

		WDM Gigabit Ethernet SFP									
		SFP-10A		SFP-10B	SFP-20A		SFP-20B	SFP-40A		SFP-40B	
Transceiver Type		Single-Mode			Single-Mode			Single-Mode			
Fiber Cable Type		G.652			G.652			G.652			
Typical Distance		10 km			20 km			40 km			
Wave-length	Typical (nm)	TX 1310, RX 1550		TX 1550, RX 1310		TX 1310, RX 1550		TX 1550, RX 1310		TX 1310, RX 1550	
	TX Range (nm)	1270 to 1355		1530 to 1570		1270 to 1355		1530 to 1570		1290 to 1330	
	RX Range (nm)	1480 to 1580		1260 to 1360		1480 to 1580		1260 to 1360		1480 to 1580	
Optical Power	TX Range (dBm)	-3 to -9			-2 to -8			+2 to -3			
	RX Range (dBm)	-3 to -21			-2 to -23			-1 to -23			
	Link Budget (dB)	12			15			20			
	Dispersion Penalty (dB)	2			3			1			

Note: WDM-type SFP modules must be used in pairs (e.g., SFP-1G10ALC and SFP-1G10BLC)

Note: When connecting the SFP-40A and 40B, we recommend using an attenuator to prevent damage caused by excessive optical power.

Typical Distance: To reach the typical distance of specified fiber transceiver, please refer to formula: Link budget(dB) > dispersion penalty(dB) + total link loss(dB).

Power Requirements

Power Consumption: Max. 1 W

Environmental Limits

Operating Temperature:

Standard Models: 0 to 60°C (32 to 140°F)

Wide Temp. Models: -40 to 85°C (-40 to 185°F)

Storage Temperature: -40 to 85°C (-40 to 185°F)

Ambient Relative Humidity: 5 to 95% (non-condensing)

Standards and Certifications

Safety: CE, FCC, TÜV (EN 60825), UL 60950-1

Marine: DNV, GL

Warranty

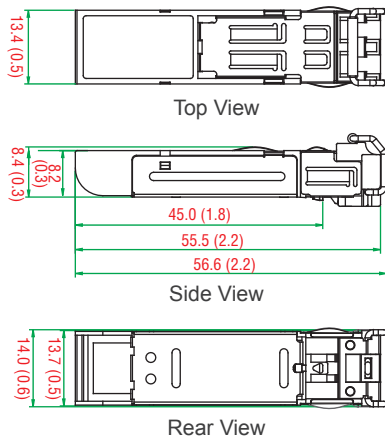
Warranty Period: 5 years

Details: See www.moxa.com/warranty

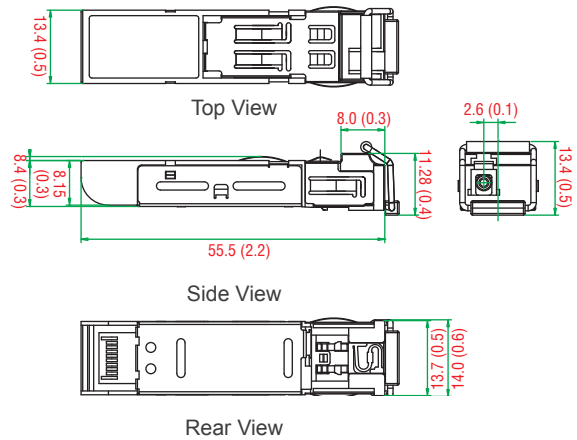
Dimensions

Unit: mm (inch)

SFP-1G Series



SFP-1G Series (WDM Type)



Ordering Information

Gigabit Ethernet SFP Models				WDM Gigabit Ethernet SFP Models			
Standard Temperature Models (0 to 60°C)	Wide Temperature Models (-40 to 85°C)	Transceiver Type	Typical Distance	Standard Temperature (0 to 60°C)	Wide Temperature (-40 to 85°C)	Transceiver Type	Typical Distance
SFP-1GSXLC	SFP-1GSXLC-T*	Multi-Mode	300/550 m	SFP-1G10ALC	SFP-1G10ALC-T	Single-Mode	10 km
SFP-1GLSXLC	SFP-1GLSXLC-T	Multi-Mode	1/2 km	SFP-1G10BLC	SFP-1G10BLC-T	Single-Mode	10 km
SFP-1GLXLC	SFP-1GLXLC-T	Single-Mode	10 km	SFP-1G20ALC	SFP-1G20ALC-T	Single-Mode	20 km
SFP-1GLHLC	SFP-1GLHLC-T	Single-Mode	30 km	SFP-1G20BLC	SFP-1G20BLC-T	Single-Mode	20 km
SFP-1GLHXL	SFP-1GLHXL-T	Single-Mode	40 km	SFP-1G40ALC	SFP-1G40ALC-T	Single-Mode	40 km
SFP-1GZXLC	SFP-1GZXLC-T	Single-Mode	80 km	SFP-1G40BLC	SFP-1G40BLC-T	Single-Mode	40 km
SFP-1GEZXC	-	Single-Mode	110 km	-	-	-	-
SFP-1GEZXC-120	-	Single-Mode	120 km	-	-	-	-

*SFP-1GSXLC-T: -20 to 75°C operating temperature

Package Checklist

- SFP-1G module
- Warranty card

SFP-1FE Series

1-port Fast Ethernet SFP modules



- > Digital Diagnostic Monitor Function
- > IEEE 802.3u compliant
- > Differential PECL inputs and outputs
- > TTL signal detect indicator
- > Hot pluggable LC duplex connector
- > Class 1 laser product; complies with EN 60825-1



Specifications

Interface

Ethernet Ports: 1

Connectors: Duplex LC Connector

Optical Fiber

	Fast Ethernet SFP			
	SFP-M		SFP-S	SFP-L
Transceiver Type	Multi-Mode		Single-Mode	
Fiber Cable Type	OM1/OM2	62.5/125, 50/125 μ m	G.652	G.652
		800 MHz* km		
Typical Distance	2 km	4 km	40 km	80 km
Wave-length	Typical (nm)	1310	1310	1550
	TX Range (nm)	1280 to 1340	1280 to 1340	1530 to 1570
	RX Range (nm)	1100 to 1650	1100 to 1600	1100 to 1600
Optical Power	TX Range (dBm)	-8 to -18	0 to -5	0 to -5
	RX Range (dBm)	-3 to -32	-3 to -34	-3 to -34
	Link Budget (dB)	14	29	29
	Dispersion Penalty (dB)	2	3	1

Note: When connecting the SFP-S or L, we recommend using an attenuator to prevent damage caused by excessive optical power.

Power Requirements

Power Consumption: Max. 1 W

Environmental Limits

Operating Temperature: -40 to 85°C (-40 to 185°F)

Storage Temperature: -40 to 85°C (-40 to 185°F)

Ambient Relative Humidity: 5 to 95% (non-condensing)

Standards and Certifications

Safety: CE, FCC, TÜV, UL 60950-1

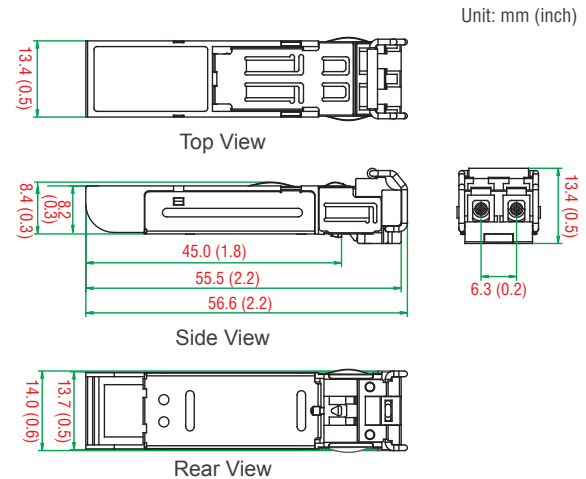
Marine: DNV, GL

Warranty

Warranty Period: 5 years

Details: See www.moxa.com/warranty

Dimensions



Ordering Information

Available Models	Port Interface		
	100BaseFX, Multi-Mode, LC Connector, 4 km	100BaseFX, Single-Mode, LC Connector, 40 km	100BaseFX, Single-Mode, LC Connector, 80 km
SFP-1FEMLC-T	1	-	-
SFP-1FESLC-T	-	1	-
SFP-1FELLC-T	-	-	1

Package Checklist

- SFP-1FE module
- Warranty card