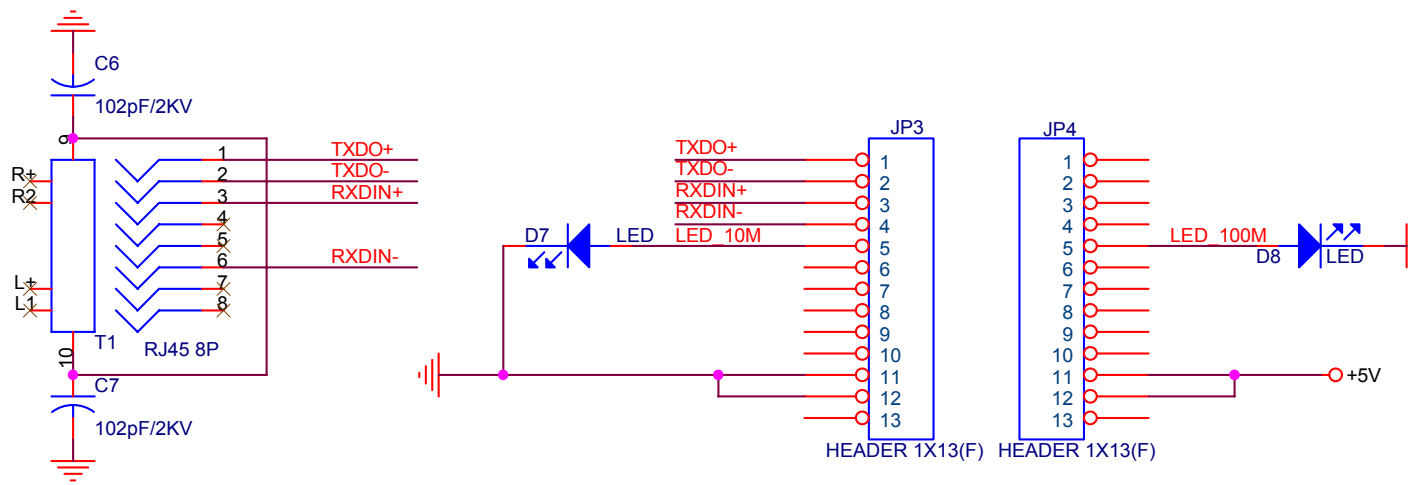
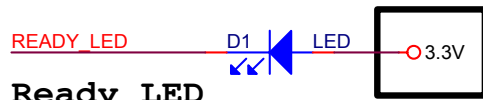
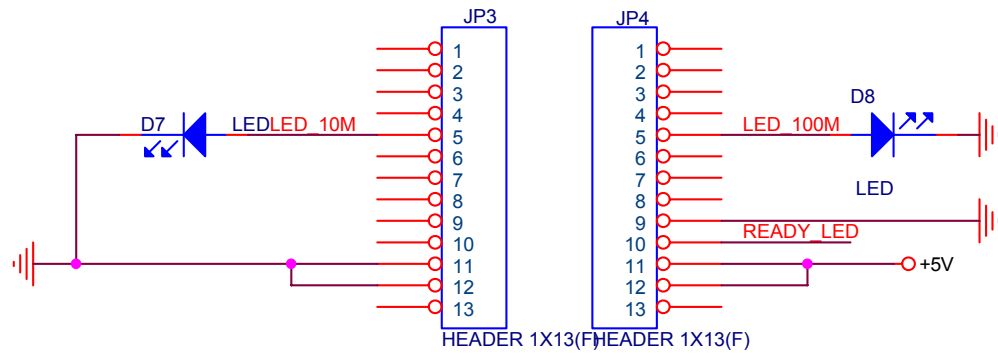


Absolute Max. Ratings		Min.	Max.	Unit
Vil	Input Low Voltage		1.08	V
Vih	Input High Voltage	2.1		V
Vol	Output Low Voltage		0.4	V
Voh	Output High Voltage	2.4		V

MOXA HWDC		
Title		
For NE-4100T		
Size	Document Number	Rev
A	DIO	1.0
Date:	Monday, May 17, 2004	Sheet 1 of 2



MOXA HWDC		
Title For NE-4100T		
Size A	Document Number EtherNet	Rev 1.0
Date: Monday, May 17, 2004	Sheet 1 of 2	



Ready LED

Note!! If the power is connected to 5V for Ready LED. The light-emitting diode will be a little luminous while it is turn off. We recommend connecting power to 3.3V to avoid this condition.



Power LED

MOXA HWDC

Title

For NE-4100T

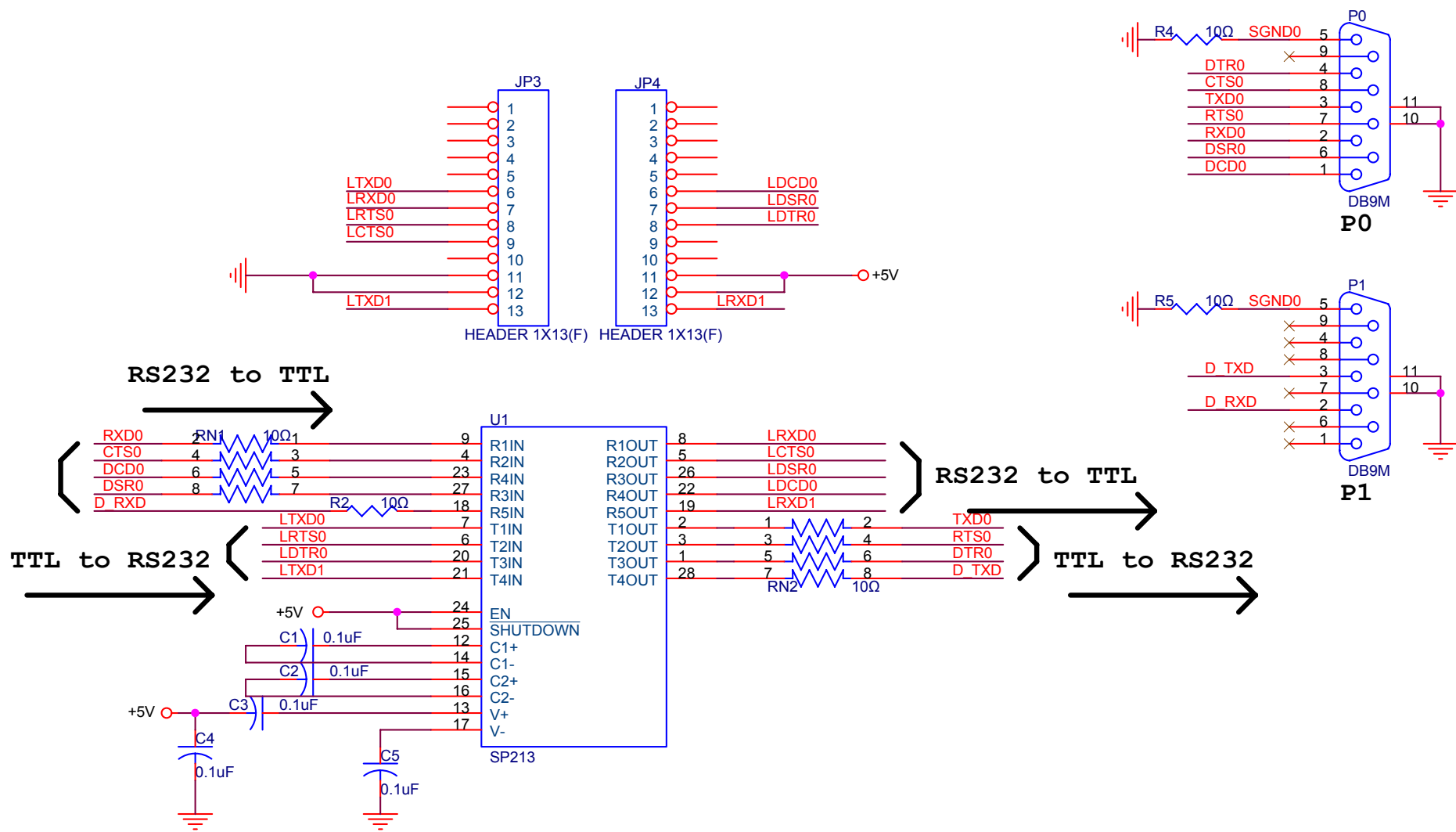
Size
A

Document Number
LED Display

Rev
1.2

Date: Monday, May 17, 2004

Sheet 1 of 2



MOXA HWDC

Title

For NE-4100T

Size
A

Document Number

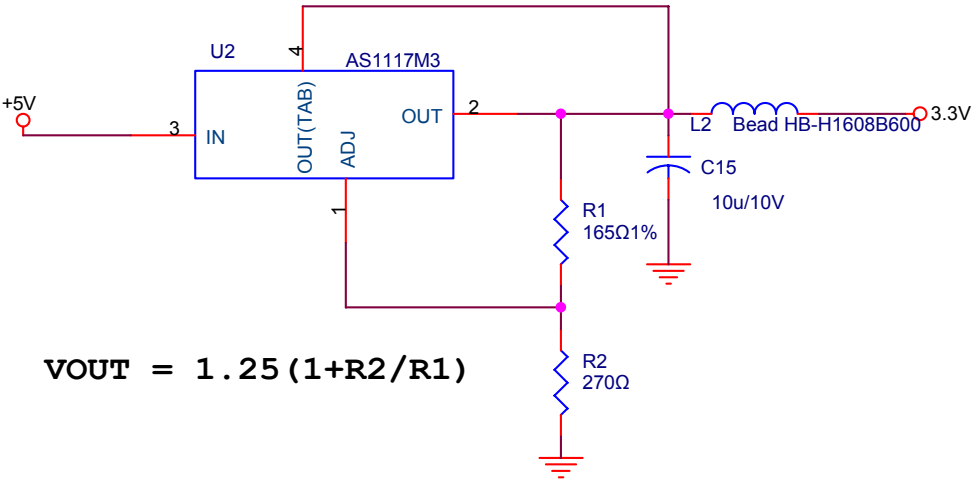
Line Driver & Connector

Rev
1.0

Date: Monday, May 17, 2004

Sheet 1 of 2

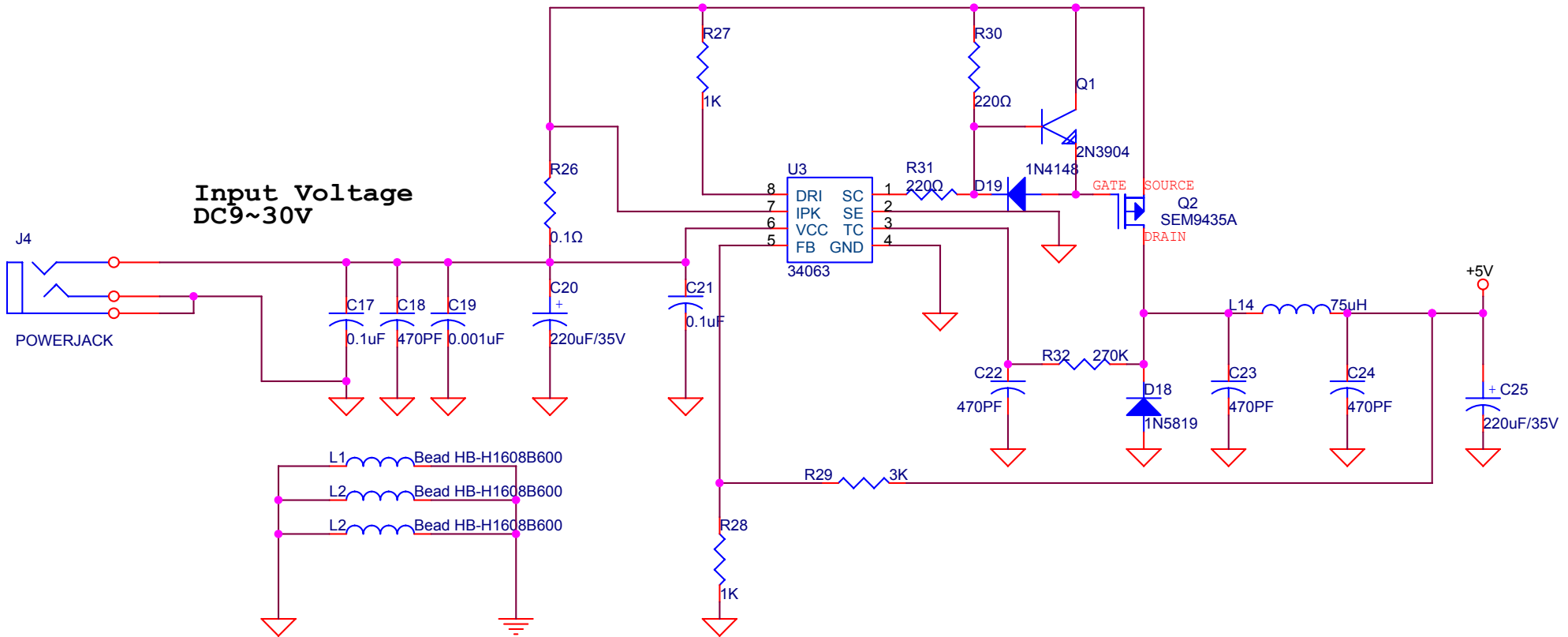
This linear regulator is only for Ready LED to avoid radiating little light while it should be turn off.



$$V_{OUT} = 1.25 (1 + R2/R1)$$

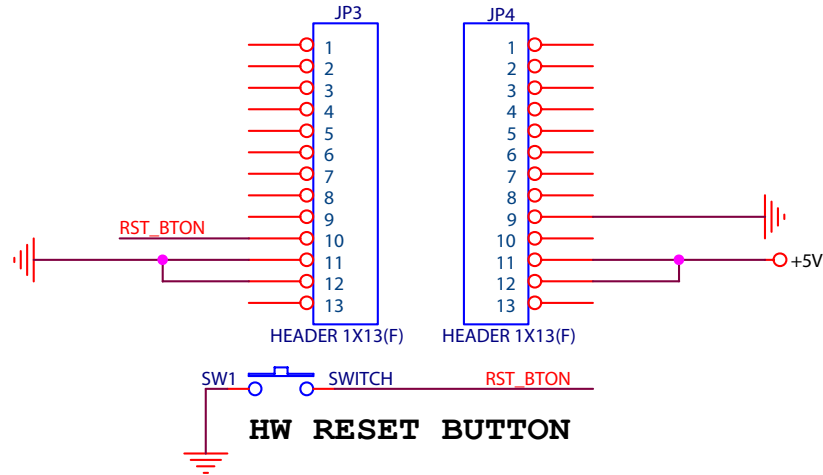
MOXA HWDC		
Title		
For NE-4100T		
Size	Document Number	Rev
A	Linear Regulator	1.0
Date:	Monday, May 17, 2004	Sheet 1 of 2

The switching regulator is for NE-4100T system power

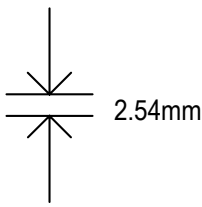
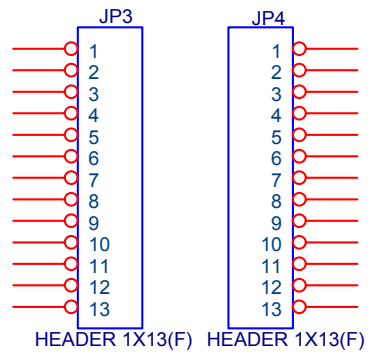


MOXA HWDC		
Title For NE-4100T		
Size A	Document Number Switching Regulator	Rev 1.0
Date: Monday, May 17, 2004	Sheet 1 of 2	

While push this button, the NE-4100T terminates all operations immediately and restarts the system.



MOXA HWDC		
Title For NE-4100T		
Size A	Document Number Reset System	Rev 1.0
Date: Monday, May 17, 2004	Sheet 1 of 2	



MOXA HWDC		
Title For NE-4100T		
Size A	Document Number Pitch of Header	Rev 1.0
Date: Monday, May 17, 2004	Sheet 1 of 2	