

AOA-2405M

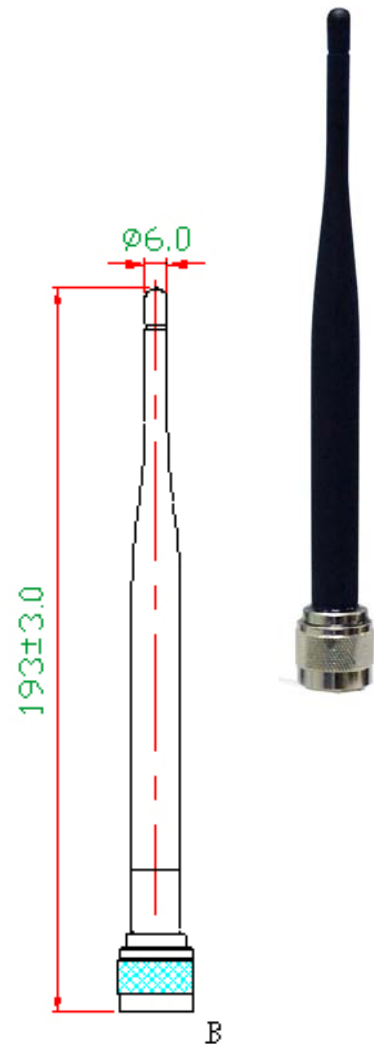
2.4~2.5GHz 5dBi Mesh Omni Antenna

Applications:

2.4 - 2.5 GHz ISM Band
IEEE 802.11b, 802.11g, 802.11n Wireless LAN
Directional and multipoint applications
Bluetooth
Public Wireless Hotspot
WiFi, RFID
Wireless Video Systems

Features:

Superior performance
Light weight
All weather operation
DC Short lightning protection
Installed for vertical
Includes tilt and swivel mast mount



For further details:

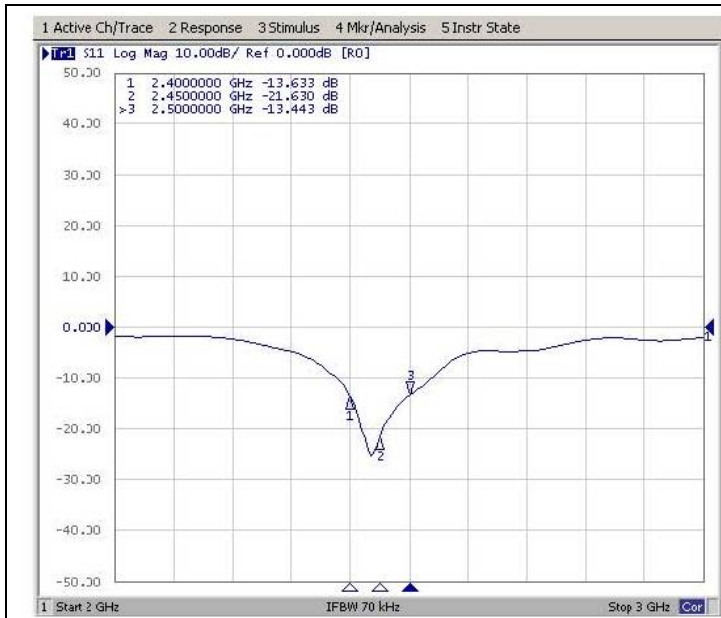
Alfa Network Inc.,
4F-1 No. 106, Rueiguang Rd.,
Neihu District,
Taipei City, Taiwan.
<http://www.alfa.com.tw>
sales@alfa.com.tw
Tel:+886-2-27968477
Fax:+886-2-27968478

Model	AOA-2405M
Frequency	2.4-2.5GHz
VSWR	≤ 1.3
Gain	5dBi
Polarization	Linear
Power Handling	50 Watts
Impedance	50 Ω
Beam Width	H: 360° / V: 15°
Connector	N Male
Operation Temp	-40°C ~ +80°C
Dimension	193 mm

AOA-2405M

2.4~2.5GHz Mesh Omni Antenna 5dBi

Network Analyzer Test Report



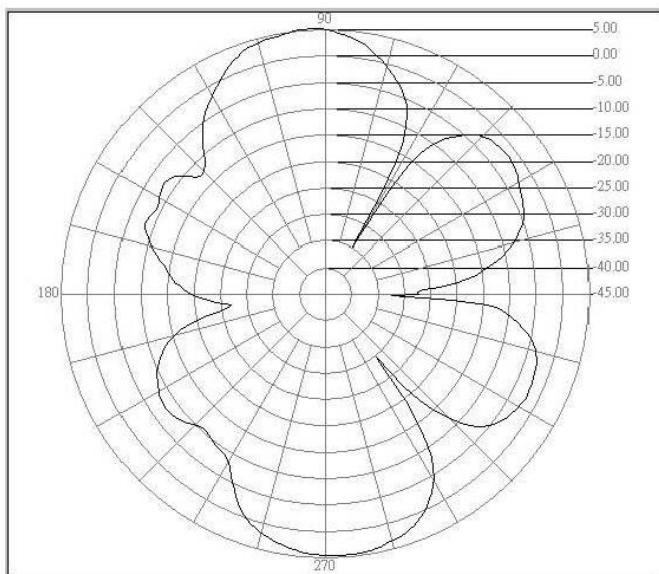
Return loss



V.S.W.R

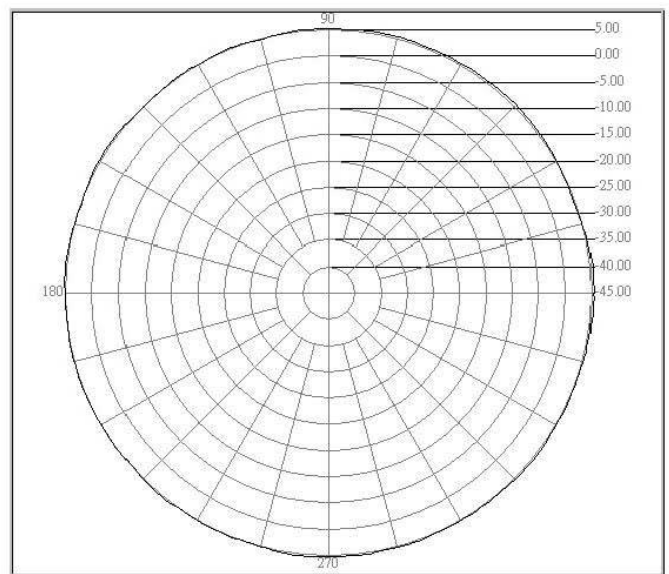
Pattern Test Report

Frequency: 2.4-2.5GHz



Center freq.(MHz): 2450

Polarization : E Plane



Center freq.(MHz): 2450

Polarization : H Plane

AOA-2405M

2.4~2.5GHz Mesh Omni Antenna 5dBi

Mounting Kits Install Guide

